



S.VENDEMIANO (TV)

FRY TOP ELETTRICO
PLAQUES A GRILLADE ELECTRIQUES
BRATPLATTEN ELEKTRO
GRIDDLES ELECTRIC

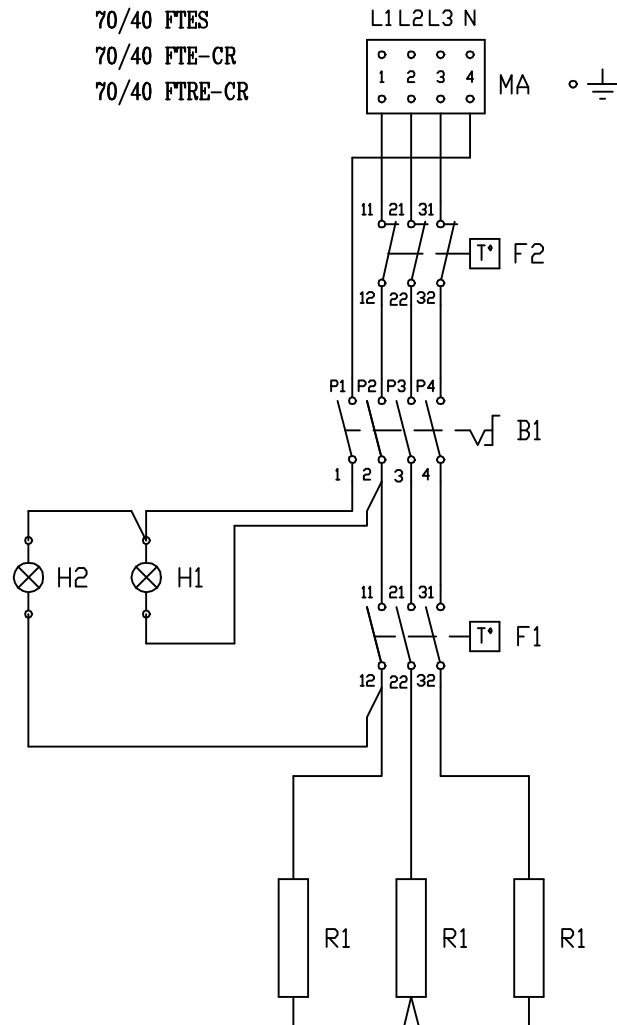
CODICE

251.062.00

DATA 01-03-1999

MOD. 65/40 FTE
65/40 FTRE
65/40 FTES
FTE/40A
FTRE/40A
FTES/40A

MOD. 70/40 FTE
70/40 FTRE
70/40 FTES
70/40 FTE-CR
70/40 FTRE-CR



B1-	INTERRUPTORE _ CUTT-OFF SWITCH	(EGD 49.41015.300)	COD: 661.000.00
	INTERRUPTEUR _ EIN-AUS SCHALTER		
F1-	TERMOSTATO _ THERMOSTAT	(EGD 55.34062.803)	COD: 661.007.00
F2-	TERMOSTATO DI SICUREZZA _ SAFETY THERMOSTAT	(EGD 55.32562.802)	COD: 661.045.00
	THERMOSTAT DE SECURITE _ TEMPERATURBEGRENZER		
H1-	LAMPADA SPIA VERDE _ GREEN PILOT LIGHT		COD: 663.000.00
	LAMPE TEMDIN VERT _ GRUNE KONTROLLAMPE		
H2-	LAMPADA SPIA ARANCIO _ ORANG PILOT LIGHT		COD: 663.001.00
	LAMPE TEMDIN ORANGE _ GELBE KONTROLLAMPE		
MA-	MORSETTIERA ARRIVO LINEA _ JUNCTION BOX POWER INLET	(PA 44 16A 380V)	COD: 663.018.00
	BORNES ARRIVEE LIGNE _ ANSCHLUSSBRETT		
R1-	RESISTENZA _ HEATING ELEMENT	(1,5KW 230V)	COD: 665.002.00
	RESISTANCE _ HEIZKORPER		

SUSI IUISCE PAKI NUMERU DEL 20-01-1998

POTENZA TOTALE - TOTAL POWER
PUISSANCE TOTAL - ANSCHLUSSWERT

4,5KV 400V+3N~ 6,5A 50/60HZ